



**Astro Pneumatic
Tool Company**

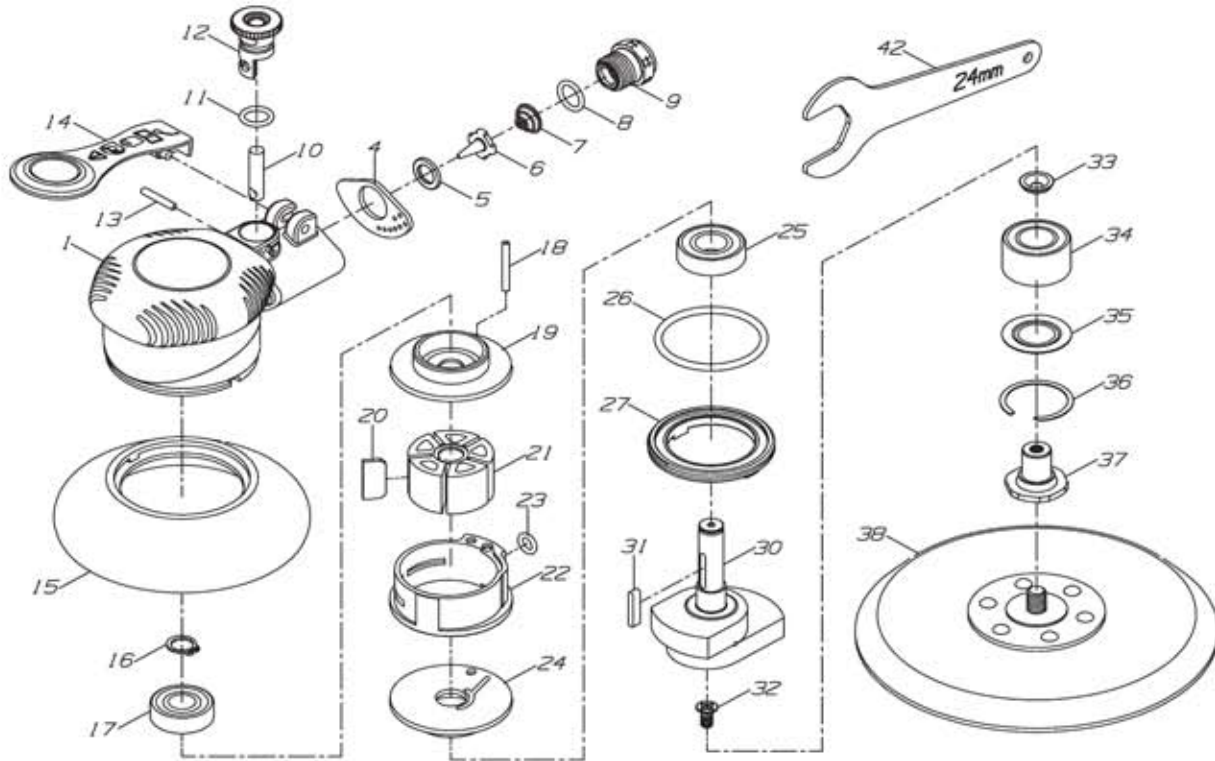
372 Old US Highway 52 South
Mount Airy, NC 27030

Model:
**325/
325P**

Product Type:
**6" FINISHING PALM SANDER
- 3/32" STROKE**

PARTS BREAKDOWN

Call 1.800.221.9705 for questions concerning performance of the product or other inquiries.



Parts List

Index	Part No.	Description	Qty	Index	Part No.	Description	Qty
1	322-01	Housing	1	21	3022S-22	Plastic Rotor	1
4	322-04	Deflector Washer	1	22	3022S-24	Cylinder	1
5	3022-11	Spacer	1	23	3022-25	O-Ring	1
6	3022-12	Controller	1	24	3022-26	Front Plate	1
7	3022-13	Spring	1	25	3022-27	Ball Bearing	1
8	322-08	O-Ring	1	26	3022-28	O-Ring	1
9	322-09	Inlet Bushing	1	27	3022-29	Cover Locker	1
10	3022-07	Valve Stem	1	30	3025S-32	Rotor Shaft (For 325P & 325)	1
11	3022-04	O-Ring	1	31	3022-41	Key	1
12	3014-04	Regulator	1	32	3022-44	Screw	1
13	3022-08	Pin	1	33	3022-45	Washer	1
14	3014-13A	Lever (For 325P & 325)	1	34	3022S-33	Double-Row Bearing	1
15	322-15	Cover	1	35	3022-35	Washer	1
16	3022-18	Retaining Ring	1	36	3022-36	Retaining Ring	1
17	3022-19	Ball Bearing	1	37	3022S-37	Drive Spindle	1
18	3022-21	Pin	1	38	4606	6" Velcro Pad (For 325)	1
19	3022-20	Rear Plate	1	38	4608	6" PSA Pad (For 325P)	1
20	3022S-23	Rotor Blade	5	42	3022-40	Wrench (24mm)	1